

Recommended



SMALAND

120/140/160/180

a x4



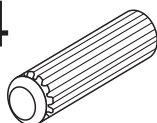
b x1



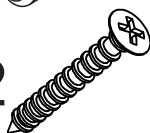
c x2



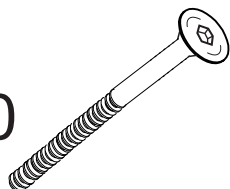
d x4



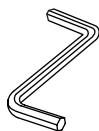
e x22



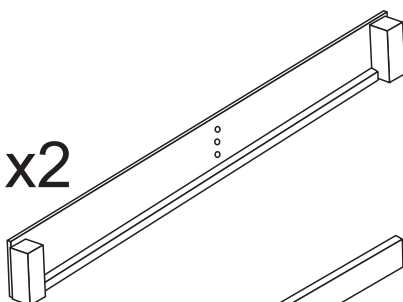
f x10



g x1



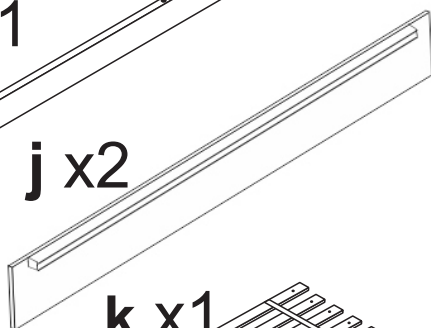
h x2



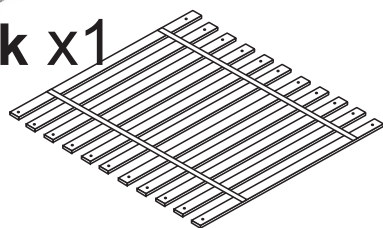
i x1



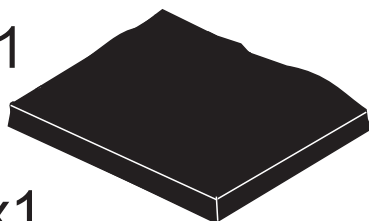
j x2



k x1

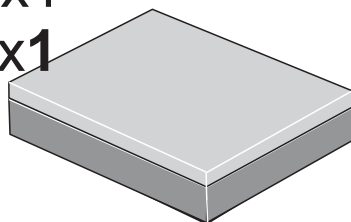


L x1

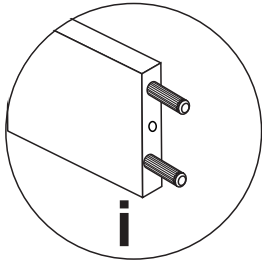


M x1

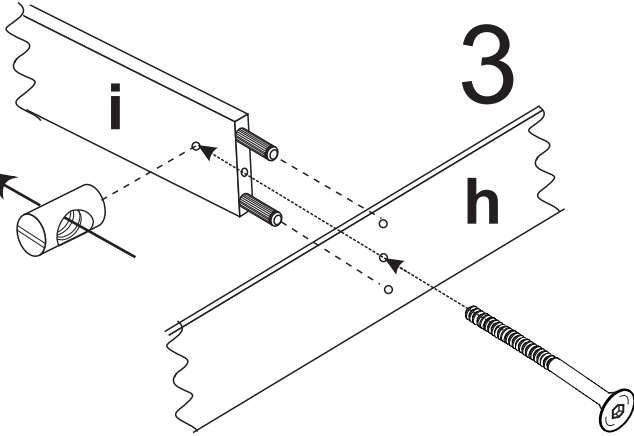
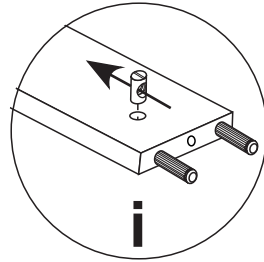
N x1



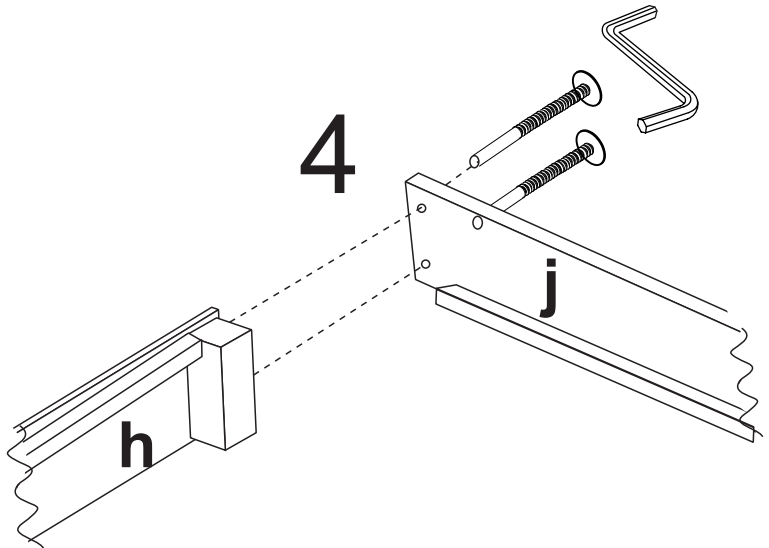
1



2

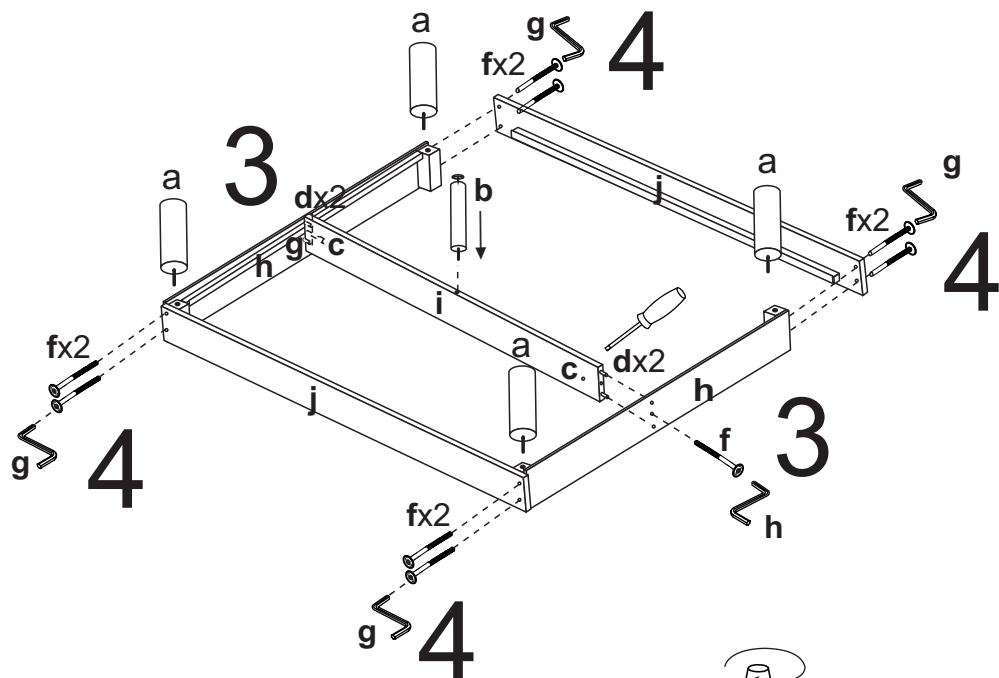


4

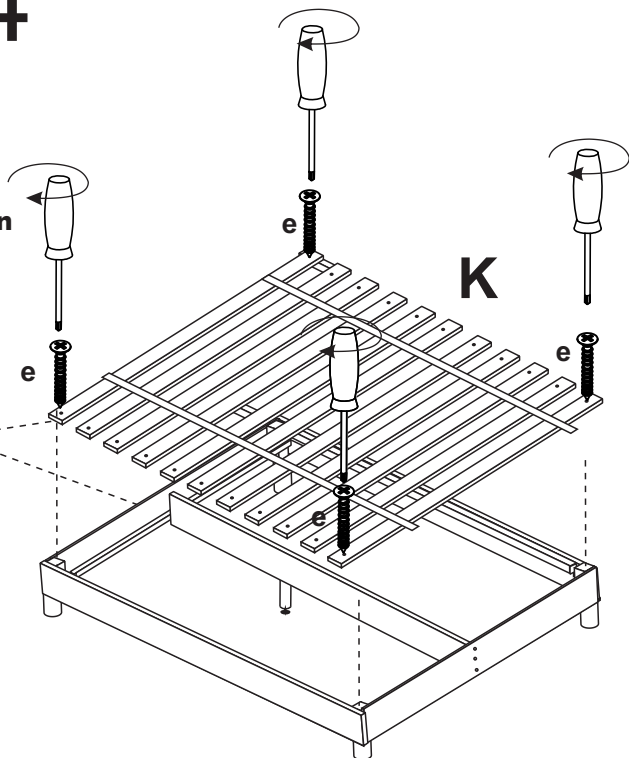
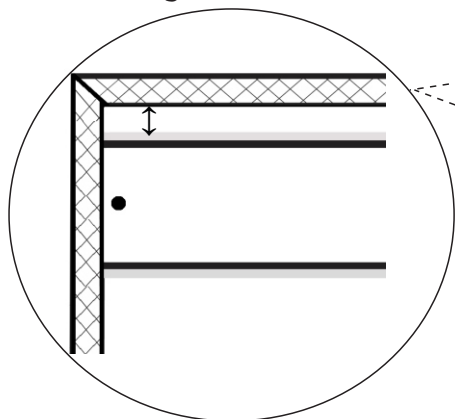


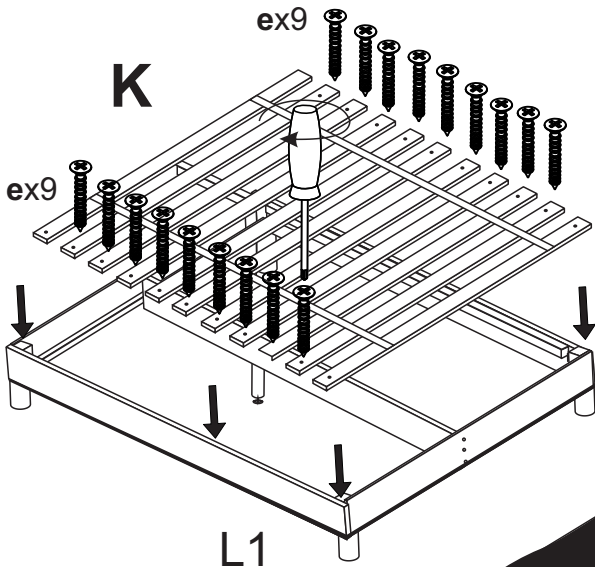
Please note.

You must set the correct height for the centre leg (b).



Note.
Please leave 2-3 mm gap between
the first plank
and the short frame side board
from the edge.



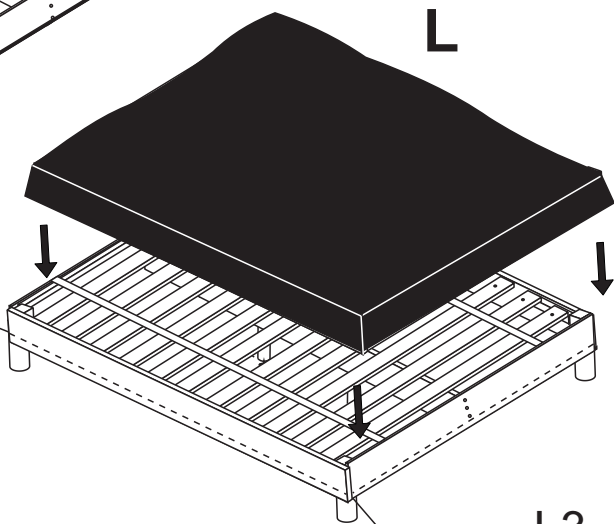
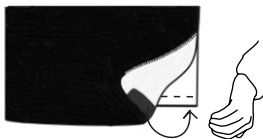


L1

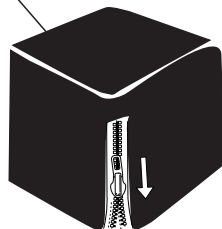
Bed frame
inner side

L2

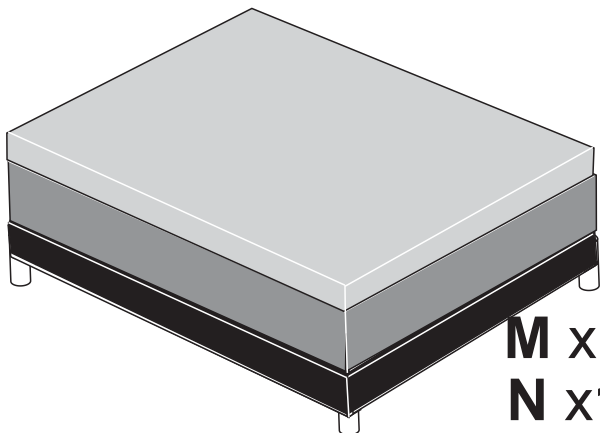
Stick the cover velcro to the inner side



L3



Zip the cover



M x1
N x1